



Department of Administration  
 Purchasing Division  
 2019 Washington Street East  
 Post Office Box 50130  
 Charleston, WV 25305-0130

**State of West Virginia  
 Solicitation Response**

**Proc Folder:** 1977824  
**Solicitation Description:** Barn Run Rebar, 0980  
**Proc Type:** Agency Purchase Order

Solicitation Closes	Solicitation Response	Version
2026-06-09 10:30	SR 0803 ESR06092600000008537	1

**VENDOR**  
 VS0000045819  
 SWIPE RESOURCES LLC

**Solicitation Number:** ARFQ 0803 DOT2600000093  
**Total Bid:** 15957.88999999999941792339086 **Response Date:** 2026-06-09 **Response Time:** 09:08:51

**Comments:**

**FOR INFORMATION CONTACT THE BUYER**

Angela L Chaney  
 (304) 558-0228  
 angie.l.chaney@wv.gov

**Vendor Signature X** **FEIN#** **DATE**

All offers subject to all terms and conditions contained in this solicitation

Line	Comm Ln Desc	Qty	Unit Issue	Unit Price	Ln Total Or Contract Amount
1	#4 Rebar, Straight, non-coated	1067.0600	LB	1.200000	1280.47

Comm Code	Manufacturer	Specification	Model #
11101704			

**Commodity Line Comments:**

**Extended Description:**

#4 Rebar, Straight, non-coated

Line	Comm Ln Desc	Qty	Unit Issue	Unit Price	Ln Total Or Contract Amount
2	#4 Rebar, Straight, Epoxy Coated	865.24000	LB	1.750000	1514.17

Comm Code	Manufacturer	Specification	Model #
11101704			

**Commodity Line Comments:**

**Extended Description:**

#4 Rebar, Straight, Epoxy Coated

Line	Comm Ln Desc	Qty	Unit Issue	Unit Price	Ln Total Or Contract Amount
3	#4 Rebar, Bent, non-coated	958.63500	LB	1.200000	1150.36

Comm Code	Manufacturer	Specification	Model #
11101704			

**Commodity Line Comments:**

**Extended Description:**

#4 Rebar, Bent, non-coated

Line	Comm Ln Desc	Qty	Unit Issue	Unit Price	Ln Total Or Contract Amount
4	#4 Rebar, Bent, Epoxy Coated	512.62300	LB	1.750000	897.09

Comm Code	Manufacturer	Specification	Model #
11101704			

**Commodity Line Comments:**

**Extended Description:**

#4 Rebar, Bent, Epoxy Coated

Line	Comm Ln Desc	Qty	Unit Issue	Unit Price	Ln Total Or Contract Amount
5	#6 Rebar, Straight, non-epoxy	1353.8040	LB	1.200000	1624.56

Comm Code	Manufacturer	Specification	Model #
11101704			

**Commodity Line Comments:**

**Extended Description:**

#6 Rebar, Straight, non-epoxy

Line	Comm Ln Desc	Qty	Unit Issue	Unit Price	Ln Total Or Contract Amount
6	#6 Rebar, Bent, non-epoxy	3626.2910	LB	1.200000	4351.55

Comm Code	Manufacturer	Specification	Model #
11101704			

**Commodity Line Comments:**

**Extended Description:**

#6 Rebar, Bent, non-epoxy

Line	Comm Ln Desc	Qty	Unit Issue	Unit Price	Ln Total Or Contract Amount
7	#8 Rebar, Bent, Epoxy Coated	2936.9630	LB	1.750000	5139.69

Comm Code	Manufacturer	Specification	Model #
11101704			

**Commodity Line Comments:**

**Extended Description:**

#8 Rebar, Bent, Epoxy Coated



**State of West Virginia  
Agency Request for Quote  
Highways**

<b>Proc Folder:</b> 1977824			<b>Reason for Modification:</b>
<b>Doc Description:</b> Barn Run Rebar, 0980			
<b>Proc Type:</b> Agency Purchase Order			
<b>Date Issued</b>	<b>Solicitation Closes</b>	<b>Solicitation No</b>	<b>Version</b>
2026-05-29	2026-06-09 10:30	ARFQ 0803 DOT2600000093	1

**BID RECEIVING LOCATION**

PROCUREMENT DIVISION  
 DIVISION OF HIGHWAYS  
 BLDG 6 RM 340A  
 1900 KANAWHA BLVD E  
 CHARLESTON WV 25305  
 US

**VENDOR**

**Vendor Customer Code:** VS0000045819  
**Vendor Name :** Swipe Resources LLC  
**Address :** 7491 Flag Point Ct.  
**Street :**  
**City :** Manassas  
**State :** VA **Country :** USA **Zip :** 20109  
**Principal Contact :** Hamza Masud  
**Vendor Contact Phone:** (703) 870-6182 **Extension:**

**FOR INFORMATION CONTACT THE BUYER**

Angela L Chaney  
 (304) 558-0228  
 angie.l.chaney@wv.gov

**Vendor Signature X** *H. Masud* **FEIN#** 85-1143501 **DATE** 6/9/2026

**All offers subject to all terms and conditions contained in this solicitation**

**ADDITIONAL INFORMATION**

THE WEST VIRGINIA DEPARTMENT OF TRANSPORTATION - PROCUREMENT DIVISION - SOLICITATION OF AN ONE-TIME PURCHASE CONTRACT OF BARN RUN REBAR FOR DISTRICT 9 PER THE ATTACHED DOCUMENTS.

QUESTIONS REGARDING THE SOLICITATION MUST BE SUBMITTED IN WRITING TO DOTPROCUREMENTTECHQUES@WV.GOV PRIOR TO THE QUESTION PERIOD DEADLINE CONTAINED IN THE INSTRUCTIONS TO VENDORS SUBMITTING BIDS.

\*\*\*\*\*NOTICE\*\*\*\*\*

WE DO NOT ACCEPT EMAIL BIDS

MUST USE ONE OF THE FOLLOWING TO SUBMIT A BID:

- \* UPLOAD TO OASIS
- \* HAND DELIVERY
- \* MAIL IN HARD COPY
- \* FAX TO 304-558-0047

MAKE SURE YOU DOWNLOAD ALL INFORMATION - THE COMPLETE SOLICITATION - PRICING PAGES - SIGN THE PAGES THAT NEED SIGNED

PLEASE NOTE THAT TO BE AWARDED THIS CONTRACT YOU WILL NEED TO BE REGISTERED WITH WV STATE PURCHASING DIVISION, AND COMPLIANT WITH SEVERAL AGENCIES SUCH AS THE WVSOS, TAX DEPARTMENT, WORKER'S COMPENSATION, AND UNEMPLOYMENT INSURANCE.

INVOICE TO		SHIP TO	
DIVISION OF HIGHWAYS DISTRICT NINE  146 STONEHOUSE RD LEWISBURG WV US		DIVISION OF HIGHWAYS DISTRICT NINE - STORAGE LOT 331 BRUSH RD LEWISBURG WV US	

Line	Comm Ln Desc	Qty	Unit Issue	Unit Price	Total Price
1	#4 Rebar, Straight, non-coated	1067.06000	LB		

Comm Code	Manufacturer	Specification	Model #
11101704			

**Extended Description:**  
#4 Rebar, Straight, non-coated

INVOICE TO		SHIP TO	
DIVISION OF HIGHWAYS DISTRICT NINE		DIVISION OF HIGHWAYS DISTRICT NINE - STORAGE LOT	
146 STONEHOUSE RD		331 BRUSH RD	
LEWISBURG	WV	LEWISBURG	WV
US		US	

Line	Comm Ln Desc	Qty	Unit Issue	Unit Price	Total Price
2	#4 Rebar, Straight, Epoxy Coated	865.24000	LB		

Comm Code	Manufacturer	Specification	Model #
11101704			

**Extended Description:**  
#4 Rebar, Straight, Epoxy Coated

INVOICE TO		SHIP TO	
DIVISION OF HIGHWAYS DISTRICT NINE		DIVISION OF HIGHWAYS DISTRICT NINE - STORAGE LOT	
146 STONEHOUSE RD		331 BRUSH RD	
LEWISBURG	WV	LEWISBURG	WV
US		US	

Line	Comm Ln Desc	Qty	Unit Issue	Unit Price	Total Price
3	#4 Rebar, Bent, non-coated	958.63500	LB		

Comm Code	Manufacturer	Specification	Model #
11101704			

**Extended Description:**  
#4 Rebar, Bent, non-coated

INVOICE TO		SHIP TO	
DIVISION OF HIGHWAYS DISTRICT NINE  146 STONEHOUSE RD LEWISBURG WV US		DIVISION OF HIGHWAYS DISTRICT NINE - STORAGE LOT 331 BRUSH RD LEWISBURG WV US	

Line	Comm Ln Desc	Qty	Unit Issue	Unit Price	Total Price
4	#4 Rebar, Bent, Epoxy Coated	512.62300	LB		

Comm Code	Manufacturer	Specification	Model #
11101704			

**Extended Description:**  
#4 Rebar, Bent, Epoxy Coated

INVOICE TO		SHIP TO	
DIVISION OF HIGHWAYS DISTRICT NINE  146 STONEHOUSE RD LEWISBURG WV US		DIVISION OF HIGHWAYS DISTRICT NINE - STORAGE LOT 331 BRUSH RD LEWISBURG WV US	

Line	Comm Ln Desc	Qty	Unit Issue	Unit Price	Total Price
5	#6 Rebar, Straight, non-epoxy	1353.80400	LB		

Comm Code	Manufacturer	Specification	Model #
11101704			

**Extended Description:**  
#6 Rebar, Straight, non-epoxy

INVOICE TO		SHIP TO	
DIVISION OF HIGHWAYS DISTRICT NINE  146 STONEHOUSE RD LEWISBURG WV US		DIVISION OF HIGHWAYS DISTRICT NINE - STORAGE LOT 331 BRUSH RD LEWISBURG WV US	

Line	Comm Ln Desc	Qty	Unit Issue	Unit Price	Total Price
6	#6 Rebar, Bent, non-epoxy	3626.29100	LB		

Comm Code	Manufacturer	Specification	Model #
11101704			

**Extended Description:**  
#6 Rebar, Bent, non-epoxy

INVOICE TO		SHIP TO	
DIVISION OF HIGHWAYS DISTRICT NINE  146 STONEHOUSE RD LEWISBURG WV US		DIVISION OF HIGHWAYS DISTRICT NINE - STORAGE LOT 331 BRUSH RD LEWISBURG WV US	

Line	Comm Ln Desc	Qty	Unit Issue	Unit Price	Total Price
7	#8 Rebar, Bent, Epoxy Coated	2936.96300	LB		

Comm Code	Manufacturer	Specification	Model #
11101704			

**Extended Description:**  
#8 Rebar, Bent, Epoxy Coated

**SCHEDULE OF EVENTS**

Line	Event	Event Date
1	TECH QUES DUE BY 10AM ET	2026-06-04

	Document Phase	Document Description	Page
DOT2600000093	Draft	Barn Run Rebar, 0980	6

**ADDITIONAL TERMS AND CONDITIONS**

See attached document(s) for additional Terms and Conditions

**INSTRUCTIONS TO VENDORS SUBMITTING BIDS**  
**(Agency Delegated Procurements Only)**

**1. REVIEW DOCUMENTS THOROUGHLY:** The attached documents contain a solicitation for bids. Please read these instructions and all documents attached in their entirety. These instructions provide critical information about requirements that if overlooked could lead to disqualification of a Vendor's bid. All bids must be submitted in accordance with the provisions contained in these instructions and the Solicitation. Failure to do so may result in disqualification of Vendor's bid.

**2. MANDATORY TERMS:** The Solicitation may contain mandatory provisions identified by the use of the words "must," "will," and "shall." Failure to comply with a mandatory term in the Solicitation will result in bid disqualification.

**2A. PREBID MEETING:** The item identified below shall apply to this Solicitation.

A pre-bid meeting will not be held prior to bid opening

A MANDATORY PRE-BID meeting will be held at the following place and time:

All Vendors submitting a bid must attend the mandatory pre-bid meeting. Failure to attend the mandatory pre-bid meeting shall result in disqualification of the Vendor's bid. No one individual is permitted to represent more than one vendor at the pre-bid meeting. Any individual that does attempt to represent two or more vendors will be required to select one vendor to which the individual's attendance will be attributed. The vendors not selected will be deemed to have not attended the pre-bid meeting unless another individual attended on their behalf. The required attribution of attendance to a single vendor should be addressed during the pre-bid but may occur at any time deemed appropriate by the Purchasing Division.

An attendance sheet provided at the pre-bid meeting shall serve as the official document verifying attendance. Any person attending the pre-bid meeting on behalf of a Vendor must list on the attendance sheet his or her name and the name of the Vendor he or she is representing.

Additionally, the person attending the pre-bid meeting should include the Vendor's E-Mail address, phone number, and Fax number on the attendance sheet. It is the Vendor's responsibility to locate the attendance sheet and provide the required information. Failure to complete the attendance sheet as required may result in disqualification of Vendor's bid.

All Vendors should arrive prior to the starting time for the pre-bid. Vendors who arrive after the starting time but prior to the end of the pre-bid will be permitted to sign in, but are charged with knowing all matters discussed at the pre-bid.

Questions submitted at least five business days prior to a scheduled pre-bid will be discussed at the pre-bid meeting if possible. Any discussions or answers to questions at the pre-bid meeting are preliminary in nature and are non-binding. Official and binding answers to questions will be published in a written addendum to the Solicitation prior to bid opening.

**3. VENDOR QUESTION DEADLINE:** Vendors may submit questions relating to this Solicitation to the Agency Contact. Questions must be submitted in writing. All questions must be submitted on or before the date listed below and to the address listed below to be considered. A written response will be published in a Solicitation addendum if a response is possible and appropriate. Non-written discussions, conversations, or questions and answers regarding this Solicitation are preliminary in nature and are nonbinding.

Submitted emails should have the solicitation number in the subject line.

Question Submission Deadline:

Submit Questions to:

Email:

**4. BID SUBMISSION:** All bids must be submitted electronically through wvOASIS or signed and delivered by the Vendor to the Agency on or before the date and time of the bid opening. Any bid received by the Agency staff is considered to be in the possession of the Agency and will not be returned for any reason.

#### **4A. BID SUBMISSION**

A bid that is not submitted electronically through wvOASIS should contain the information listed below on the face of the envelope or the bid may be rejected by the Agency.

SEALED BID:

BUYER:

SOLICITATION NO.:

BID OPENING DATE:

BID OPENING TIME:

FAX NUMBER:

**5. ADDENDUM ACKNOWLEDGEMENT:** Changes or revisions to this Solicitation will be made by an official addendum issued by the Agency. Vendor should acknowledge receipt of all addenda issued with this Solicitation by completing an Addendum Acknowledgment Form, a copy of which is included herewith. Failure to acknowledge addenda may result in bid disqualification. The addendum acknowledgement should be submitted with the bid to expedite document processing.

**6. BID FORMATTING:** Vendor should type or electronically enter the information onto its bid to prevent errors in the evaluation. Failure to type or electronically enter the information may result in bid disqualification.

**7. ALTERNATE MODEL OR BRAND:** Unless the box below is checked, any model, brand, or specification listed in this Solicitation establishes the acceptable level of quality only and is not intended to reflect a preference for, or in any way favor, a particular brand or vendor. Vendors may bid alternates to a listed model or brand provided that the alternate is at least equal to the model or brand and complies with the required specifications. The equality of any alternate being bid shall be determined by the State at its sole discretion. Any Vendor bidding an alternate model or brand should clearly identify the alternate items in its bid and should include manufacturer's specifications, industry literature, and/or any other relevant documentation demonstrating the equality of the alternate items. Failure to provide information for alternate items may be grounds for rejection of a Vendor's bid.

[ ] This Solicitation is based upon a standardized commodity established under West Virginia Code § 5A-3-61. Vendors are expected to bid the standardized commodity identified. Failure to bid the standardized commodity will result in your firm's bid being rejected.

**8. EXCEPTIONS AND CLARIFICATIONS:** The Solicitation contains the specifications that shall form the basis of a contractual agreement. Vendor shall clearly mark any exceptions, clarifications, or other proposed modifications in its bid. Exceptions to, clarifications of, or modifications of a requirement or term and condition of the Solicitation may result in bid disqualification.

**9. REGISTRATION:** Prior to Contract award, the apparent successful Vendor must be properly registered with the West Virginia Purchasing Division and must have paid the \$125 fee, if applicable.

**10. UNIT PRICE:** Unit prices shall prevail in cases of a discrepancy in the Vendor's bid.

**11. PREFERENCE:** Vendor Preference may be requested in purchases of motor vehicles or construction and maintenance equipment and machinery used in highway and other infrastructure projects. Any request for preference must be submitted in writing with the bid, must specifically identify the preference requested with reference to the applicable subsection of West Virginia Code § 5A-3-37, and must include with the bid any information necessary to evaluate and confirm the applicability of the requested preference. A request form to help facilitate the request can be found at: <http://www.state.wv.us/admin/purchase/vrc/Venpref.pdf>.

**11A. RECIPROCAL PREFERENCE:** The State of West Virginia applies a reciprocal preference to all solicitations for commodities and printing in accordance with W. Va. Code § 5A-3-37(b). In effect, if reciprocal preference is requested by a West Virginia resident vendor, non-resident vendors receiving a preference in their home states, will see that same preference granted to West Virginia resident vendors bidding against them in West Virginia. Any request for reciprocal preference must include with the bid any information necessary to evaluate and confirm the applicability of the preference. A request form to help facilitate the request can be found at: <http://www.state.wv.us/admin/purchase/vrc/Venpref.pdf>.

**12. SMALL, WOMEN-OWNED, OR MINORITY-OWNED BUSINESSES:** For any solicitations publicly advertised for bid, in accordance with West Virginia Code §5A-3-37 and W. Va. CSR § 148-22-9, any non-resident vendor certified as a small, women-owned, or minority-owned business under W. Va. CSR § 148-22-9 shall be provided the same preference made available to any resident vendor. Any non-resident small, women-owned, or minority-owned business must identify itself as such in writing, must submit that writing to the Purchasing Division with its bid, and must be properly certified under W. Va. CSR § 148-22-9 prior to contract award to receive the preferences made available to resident vendors. Preference for a non-resident small, women-owned, or minority owned business shall be applied in accordance with W. Va. CSR § 148-22-9.

**13. ELECTRONIC FILE ACCESS RESTRICTIONS:** Vendor must ensure that its submission in wvOASIS can be accessed and viewed by the Agency staff immediately upon bid opening. The Agency will consider any file that cannot be immediately access and viewed at the time of the bid opening (such as, encrypted files, password protected files, or incompatible files) to be blank or incomplete as context requires, and therefore unacceptable. A vendor will not be permitted to unencrypt files, remove password protections, or resubmit documents after bid opening to make a file viewable if those documents are required with the bid. A Vendor may be required to provide document passwords or removed access restrictions to allow the Agency to print or electronically save documents provided that those documents are viewable by the Agency prior to obtaining the password or removing the access restriction.

**14. NON-RESPONSIBLE:** The Purchasing Division Director reserves the right to reject the bid of any vendor as Non-Responsible in accordance with W. Va. Code of State Rules § 148-1-5.3, when the Director determines that the vendor submitting the bid does not have the capability to fully perform, or lacks the integrity and reliability to assure good-faith performance.”

**15. ACCEPTANCE/REJECTION:** The State may accept or reject any bid in whole, or in part in accordance with W. Va. Code of State Rules § 148-1-4.5. and § 148-1-6.4.b.”

**16. YOUR SUBMISSION IS A PUBLIC DOCUMENT:** Vendor’s entire response to the Solicitation and the resulting Contract are public documents. As public documents, they will be disclosed to the public following the bid/proposal opening or award of the contract, as required by the competitive bidding laws of West Virginia Code §§ 5A-3-1 et seq., 5-22-1 et seq., 5G-1-1 et seq. and the Freedom of Information Act in West Virginia Code §§ 29B-1-1 et seq.

**DO NOT SUBMIT MATERIAL YOU CONSIDER TO BE CONFIDENTIAL, A TRADE SECRET, OR OTHERWISE NOT SUBJECT TO PUBLIC DISCLOSURE.**

Submission of any bid, proposal, or other document to the Purchasing Division constitutes your explicit consent to the subsequent public disclosure of the bid, proposal, or document. The Purchasing Division will disclose any document labeled “confidential,” “proprietary,” “trade secret,” “private,” or labeled with any other claim against public disclosure of the documents, to include any “trade secrets” as defined by West Virginia Code § 47-22-1 et seq. All submissions are subject to public disclosure without notice.

**GENERAL TERMS AND CONDITIONS:  
(Agency Delegated Procurements Only)**

**1. CONTRACTUAL AGREEMENT:** Issuance of an Award Document signed by the Agency and approved as to form by the Attorney General's office, if required, constitutes acceptance by the State of this Contract made by and between the State of West Virginia and the Vendor. Vendor's signature on its bid, or on the Contract if the Contract is not the result of a bid solicitation, signifies Vendor's agreement to be bound by and accept the terms and conditions contained in this Contract.

**2. DEFINITIONS:** As used in this Solicitation/Contract, the following terms shall have the meanings attributed to them below. Additional definitions may be found in the specifications included with this Solicitation/Contract.

**2.1. "Agency" or "Agencies"** means the agency, board, commission, or other entity of the State of West Virginia that is identified on the first page of the Solicitation or any other public entity seeking to procure goods or services under this Contract.

**2.2. "Bid" or "Proposal" means the vendors submitted response to this solicitation.**

**2.3. "Contract"** means the binding agreement that is entered into between the State and the Vendor to provide the goods or services requested in the Solicitation.

**2.4. "Director"** means the Director of the West Virginia Department of Administration, Purchasing Division.

**2.5. "Purchasing Division"** means the West Virginia Department of Administration, Purchasing Division.

**2.6. "Award Document"** means the document signed by the Agency that identifies the Vendor as the contract holder.

**2.7. "Solicitation"** means the official notice of an opportunity to supply the State with goods or services.

**2.8. "State"** means the State of West Virginia and/or any of its agencies, commissions, boards, etc. as context requires.

**2.9. "Vendor" or "Vendors"** means any entity submitting a bid in response to the Solicitation, the entity that has been selected as the lowest responsible bidder, or the entity that has been awarded the Contract as context requires.

**3. CONTRACT TERM; RENEWAL; EXTENSION:** The term of this Contract shall be determined in accordance with the category that has been identified as applicable to this Contract below:

**Term Contract**

**Initial Contract Term:** This Contract becomes effective on \_\_\_\_\_ and the initial contract term extends until \_\_\_\_\_.

**Renewal Term:** This Contract may be renewed upon the mutual written consent of the Agency, and the Vendor. Any request for renewal should be delivered to the Agency thirty (30) days prior to the expiration date of the initial contract term or appropriate renewal term. A Contract renewal shall be in accordance with the terms and conditions of the original contract. Unless otherwise specified below, renewal of this Contract is limited to \_\_\_\_\_ successive one (1) year periods or multiple renewal periods of less than one year, provided that the multiple renewal periods do not exceed the total number of months available in all renewal years combined. Automatic renewal of this Contract is prohibited.

**Alternate Renewal Term** – This contract may be renewed for \_\_\_\_\_ successive \_\_\_\_\_ year periods or shorter periods provided that they do not exceed the total number of months contained in all available renewals. Automatic renewal of this Contract is prohibited. Renewals must be approved by the Vendor and Agency.

**Delivery Order Limitations:** In the event that this contract permits delivery orders, a delivery order may only be issued during the time this Contract is in effect. Any delivery order issued within one year of the expiration of this Contract shall be effective for one year from the date the delivery order is issued. No delivery order may be extended beyond one year after this Contract has expired.

**Fixed Period Contract:** This Contract becomes effective upon Vendor's receipt of the notice to proceed and must be completed within \_\_\_\_\_ days.

**Fixed Period Contract with Renewals:** This Contract becomes effective upon Vendor's receipt of the notice to proceed and part of the Contract more fully described in the attached specifications must be completed within \_\_\_\_\_ days. Upon completion of the work covered by the preceding sentence, the vendor agrees that maintenance, monitoring, or warranty services will be provided for \_\_\_\_\_ year(s) thereafter.

**One Time Purchase:** The term of this Contract shall run from the issuance of the Award Document until all of the goods contracted for have been delivered, but in no event will this Contract extend for more than one fiscal year.

**Construction/Project Oversight:** This Contract becomes effective on the effective start date listed on the first page of this Contract, identified as the State of West Virginia contract cover page containing the signatures of the State Agency (or another page identified as \_\_\_\_\_), and continues until the project for which the vendor is providing oversight is complete.

**Other:** See attached.

**4. AUTHORITY TO PROCEED:** Vendor is authorized to begin performance of this contract on the date of encumbrance listed on the front page of the Award Document unless either the box for “Fixed Period Contract” or “Fixed Period Contract with Renewals” has been checked in Section 3 above. If either “Fixed Period Contract” or “Fixed Period Contract with Renewals” has been checked, Vendor must not begin work until it receives a separate notice to proceed from the State. The notice to proceed will then be incorporated into the Contract via change order to memorialize the official date that work commenced.

**5. QUANTITIES:** The quantities required under this Contract shall be determined in accordance with the category that has been identified as applicable to this Contract below.

**Open End Contract:** Quantities listed in this Solicitation/Award Document are approximations only, based on estimates supplied by the Agency. It is understood and agreed that the Contract shall cover the quantities actually ordered for delivery during the term of the Contract, whether more or less than the quantities shown.

**Service:** The scope of the service to be provided will be more clearly defined in the specifications included herewith.

**Combined Service and Goods:** The scope of the service and deliverable goods to be provided will be more clearly defined in the specifications included herewith.

**One Time Purchase:** This Contract is for the purchase of a set quantity of goods that are identified in the specifications included herewith. Once those items have been delivered, no additional goods may be procured under this Contract without an appropriate change order approved by the Vendor, Agency, Purchasing Division, and Attorney General’s office.

**Construction:** This Contract is for construction activity more fully defined in the specifications.

**6. EMERGENCY PURCHASES:** The Purchasing Division Director may authorize the Agency to purchase goods or services in the open market that Vendor would otherwise provide under this Contract if those goods or services are for immediate or expedited delivery in an emergency. Emergencies shall include, but are not limited to, delays in transportation or an unanticipated increase in the volume of work. An emergency purchase in the open market, approved by the Purchasing Division Director, shall not constitute of breach of this Contract and shall not entitle the Vendor to any form of compensation or damages. This provision does not excuse the State from fulfilling its obligations under a One Time Purchase contract.

**7. REQUIRED DOCUMENTS:** All of the items checked below must be provided to the Agency by the Vendor as specified below.

**LICENSE(S) / CERTIFICATIONS / PERMITS:** In addition to anything required under the Section of the General Terms and Conditions entitled Licensing, the apparent successful Vendor shall furnish proof of the following licenses, certifications, and/or permits upon request and in a form acceptable to the State. The request may be prior to or after contract award at the State's sole discretion.

The apparent successful Vendor shall also furnish proof of any additional licenses or certifications contained in the specifications regardless of whether or not that requirement is listed above.

**8. INSURANCE:** The apparent successful Vendor shall furnish proof of the insurance identified by a checkmark below on each policy prior to Contract award. The insurance coverages identified below must be maintained throughout the life of this contract. Thirty (30) days prior to the expiration of the insurance policies Vendor shall provide the Agency with proof that the insurance

mandated herein has been continued. Vendor must also provide Agency with immediate notice of any changes in its insurance policies, including but not limited to, policy cancelation, policy reduction, or change in insurers. The apparent successful Vendor shall also furnish proof of any additional insurance requirements contained in the specifications prior to Contract award regardless of whether or not that insurance requirement is listed in this section.

Vendor must maintain:

**Commercial General Liability Insurance** in at least an amount of:  
\_\_\_\_\_ per occurrence.

**Automobile Liability Insurance** in at least an amount of: \_\_\_\_\_ per occurrence.

**Professional/Malpractice/Errors and Omission Insurance** in at least an amount of:  
\_\_\_\_\_ per occurrence. Notwithstanding the forgoing, Vendor's are not required to list the State as an additional insured for this type of policy.

**Commercial Crime and Third Party Fidelity Insurance** in an amount of:  
\_\_\_\_\_ per occurrence.

**Cyber Liability Insurance** in an amount of: \_\_\_\_\_ per occurrence.

**Builders Risk Insurance** in an amount equal to 100% of the amount of the Contract.

**Pollution Insurance** in an amount of: \_\_\_\_\_ per occurrence.

**Aircraft Liability** in an amount of: \_\_\_\_\_ per occurrence.

**9. WORKERS' COMPENSATION INSURANCE:** Vendor shall comply with laws relating to workers compensation, shall maintain workers' compensation insurance when required, and shall furnish proof of workers' compensation insurance upon request.

**10. LIQUIDATED DAMAGES:** This clause shall in no way be considered exclusive and shall not limit the State or Agency's right to pursue any other available remedy. Vendor shall pay liquidated damages in the amount specified below or as described in the specifications:

\_\_\_\_\_ for \_\_\_\_\_

Liquidated Damages Contained in the Specifications.

Liquidated Damages Are Not Included in this Contract.

**11. ACCEPTANCE:** Vendor's signature on its bid, or on the certification and signature page, constitutes an offer to the State that cannot be unilaterally withdrawn, signifies that the product or service proposed by vendor meets the mandatory requirements contained in the Solicitation for that product or service, unless otherwise indicated, and signifies acceptance of the terms and conditions contained in the Solicitation unless otherwise indicated.

**12. PRICING:** The pricing set forth herein is firm for the life of the Contract, unless specified elsewhere within this Solicitation/Contract by the State. A Vendor's inclusion of price adjustment provisions in its bid, without an express authorization from the State in the Solicitation to do so, may result in bid disqualification. Notwithstanding the foregoing, Vendor must extend any publicly advertised sale price to the State and invoice at the lower of the contract price or the publicly advertised sale price.

**13. PAYMENT IN ARREARS:** Payments for goods/services will be made in arrears only upon receipt of a proper invoice, detailing the goods/services provided or receipt of the goods/services, whichever is later. Notwithstanding the foregoing, payments for software licenses, subscriptions, or maintenance may be paid annually in advance.

**14. PAYMENT METHODS:** Vendor must accept payment by electronic funds transfer or P-Card. (The State of West Virginia's Purchasing Card program, administered under contract by a banking institution, processes payment for goods and services through state designated credit cards.)

**15. ADDITIONAL FEES:** Vendor is not permitted to charge additional fees or assess additional charges that were not either expressly provided for in the solicitation published by the State of West Virginia, included in the Contract, or included in the unit price or lump sum bid amount that Vendor is required by the solicitation to provide. Including such fees or charges as notes to the solicitation may result in rejection of vendor's bid. Requesting such fees or charges be paid after the contract has been awarded may result in cancellation of the contract.

**16. TAXES:** The Vendor shall pay any applicable sales, use, personal property or any other taxes arising out of this Contract and the transactions contemplated thereby. The State of West Virginia is exempt from federal and state taxes and will not pay or reimburse such taxes.

**17. FUNDING:** This Contract shall continue for the term stated herein, contingent upon funds being appropriated by the Legislature or otherwise being made available. In the event funds are not appropriated or otherwise made available, this Contract becomes void and of no effect beginning on July 1 of the fiscal year for which funding has not been appropriated or otherwise made available. If that occurs, the State may notify the Vendor that an alternative source of funding has been obtained and thereby avoid the automatic termination. Non-appropriation or non-funding shall not be considered an event of default.

**18. CANCELLATION:** The State reserves the right to cancel this Contract immediately upon written notice to the vendor if the materials or workmanship supplied do not conform to the specifications contained in the Contract. The Agency may also cancel any purchase or Contract upon 30 days written notice to the Vendor in accordance with West Virginia Code of State Rules § 148-1-5.2.b.

**19. TIME:** Time is of the essence with regard to all matters of time and performance in this Contract.

**20. APPLICABLE LAW:** This Contract is governed by and interpreted under West Virginia law without giving effect to its choice of law principles. Any information provided in specification manuals, or any other source, verbal or written, which contradicts or violates the West Virginia Constitution, West Virginia Code or West Virginia Code of State Rules is void and of no effect.

**20A. VENUE:** All legal actions for damages brought by Vendor against the State shall be brought in the West Virginia Claims Commission. Other causes of action must be brought in the West Virginia court authorized by statute to exercise jurisdiction over it.

**21. COMPLIANCE WITH LAWS:** Vendor shall comply with all applicable federal, state, and local laws, regulations and ordinances. By submitting a bid, Vendor acknowledges that it has reviewed, understands, and will comply with all applicable laws, regulations, and ordinances. Vendor shall notify all subcontractors providing commodities or services related to this Contract that as subcontractors, they too are required to comply with all applicable laws, regulations, and ordinances.

**22. ARBITRATION:** Any references made to arbitration contained in this Contract, Vendor's bid, or in any American Institute of Architects documents pertaining to this Contract are hereby deleted, void, and of no effect.

**23. MODIFICATIONS:** This writing is the parties' final expression of intent. Notwithstanding anything contained in this Contract to the contrary, no modification of this Contract shall be binding without mutual written consent of the Agency, and the Vendor.

**24. WAIVER:** The failure of either party to insist upon a strict performance of any of the terms or provision of this Contract, or to exercise any option, right, or remedy herein contained, shall not be construed as a waiver or a relinquishment for the future of such term, provision, option, right, or remedy, but the same shall continue in full force and effect. Any waiver must be expressly stated in writing and signed by the waiving party.

**25. SUBSEQUENT FORMS:** The terms and conditions contained in this Contract shall supersede any and all subsequent terms and conditions which may appear on any form documents submitted by Vendor to the Agency or Purchasing Division such as price lists, order forms, invoices, sales agreements, or maintenance agreements, and includes internet websites or other electronic documents. Acceptance or use of Vendor's forms does not constitute acceptance of the terms and conditions contained thereon.

**26. ASSIGNMENT:** Neither this Contract nor any monies due, or to become due hereunder, may be assigned by the Vendor without the express written consent of the Agency and any other government agency or office that may be required to approve such assignments.

**27. WARRANTY:** The Vendor expressly warrants that the goods and/or services covered by this Contract will: (a) conform to the specifications, drawings, samples, or other description furnished or specified by the Agency; (b) be merchantable and fit for the purpose intended; and (c) be free from defect in material and workmanship.

**28. STATE EMPLOYEES:** State employees are not permitted to utilize this Contract for personal use and the Vendor is prohibited from permitting or facilitating the same.

**29. PRIVACY, SECURITY, AND CONFIDENTIALITY:** The Vendor agrees that it will not disclose to anyone, directly or indirectly, any such personally identifiable information or other confidential information gained from the Agency, unless the individual who is the subject of the information consents to the disclosure in writing or the disclosure is made pursuant to the Agency's policies, procedures, and rules. Vendor further agrees to comply with the Confidentiality Policies and Information Security Accountability Requirements, set forth in [www.state.wv.us/admin/purchase/privacy](http://www.state.wv.us/admin/purchase/privacy).

**30. YOUR SUBMISSION IS A PUBLIC DOCUMENT:** Vendor's entire response to the Solicitation and the resulting Contract are public documents. As public documents, they will be disclosed to the public following the bid/proposal opening or award of the contract, as required by the competitive bidding laws of West Virginia Code §§ 5A-3-1 et seq., 5-22-1 et seq., and 5G-1-1 et seq. and the Freedom of Information Act West Virginia Code §§ 29B-1-1 et seq.

**DO NOT SUBMIT MATERIAL YOU CONSIDER TO BE CONFIDENTIAL, A TRADE SECRET, OR OTHERWISE NOT SUBJECT TO PUBLIC DISCLOSURE.**

Submission of any bid, proposal, or other document to the Purchasing Division constitutes your explicit consent to the subsequent public disclosure of the bid, proposal, or document. The Purchasing Division will disclose any document labeled "confidential," "proprietary," "trade secret," "private," or labeled with any other claim against public disclosure of the documents, to include any "trade secrets" as defined by West Virginia Code § 47-22-1 et seq. All submissions are subject to public disclosure without notice.

**31. LICENSING:** In accordance with West Virginia Code of State Rules § 148-1-6.1.e, Vendor must be licensed and in good standing in accordance with any and all state and local laws and requirements by any state or local agency of West Virginia, including, but not limited to, the West Virginia Secretary of State's Office, the West Virginia Tax Department, West Virginia Insurance Commission, or any other state agency or political subdivision. Obligations related to political subdivisions may include, but are not limited to, business licensing, business and occupation taxes, inspection compliance, permitting, etc. Upon request, the Vendor must provide all necessary releases to obtain information to enable the Purchasing Division Director or the Agency to verify that the Vendor is licensed and in good standing with the above entities. Vendor shall notify all subcontractors providing commodities or services related to this Contract that as subcontractors, they too are required to be licensed, in good standing, and up-to-date on all state and local obligations as described in this section.

**32. ANTITRUST:** In submitting a bid to, signing a contract with, or accepting an Award Document from any agency of the State of West Virginia, the Vendor agrees to convey, sell, assign, or transfer to the State of West Virginia all rights, title, and interest in and to all causes of action it may now or hereafter acquire under the antitrust laws of the United States and the State of West Virginia for price fixing and/or unreasonable restraints of trade relating to the particular commodities or services purchased or acquired by the State of West Virginia. Such assignment shall be made and become effective at the time the purchasing agency tenders the initial payment to Vendor.

**33. VENDOR NON-CONFLICT:** Neither Vendor nor its representatives are permitted to have any interest, nor shall they acquire any interest, direct or indirect, which would compromise the performance of its services hereunder. Any such interests shall be promptly presented in detail to the Agency.

**34. VENDOR RELATIONSHIP:** The relationship of the Vendor to the State shall be that of an independent contractor and no principal-agent relationship or employer-employee relationship is contemplated or created by this Contract. The Vendor as an independent contractor is solely liable for the acts and omissions of its employees and agents. Vendor shall be responsible for selecting, supervising, and compensating any and all individuals employed pursuant to the terms of this Solicitation and resulting contract. Neither the Vendor, nor any employees or subcontractors of the Vendor, shall be deemed to be employees of the State for any purpose whatsoever. Vendor shall be exclusively responsible for payment of employees and contractors for all wages and salaries, taxes, withholding payments, penalties, fees, fringe benefits, professional liability insurance premiums, contributions to insurance and pension, or other deferred compensation plans, including but not limited to, Workers' Compensation and Social Security obligations, licensing fees, etc. and the filing of all necessary documents, forms, and returns pertinent to all of the foregoing. Vendor shall hold harmless the State, and shall provide the State and Agency with a defense against any and all claims including, but not limited to, the foregoing payments, withholdings, contributions, taxes, Social Security taxes, and employer income tax returns.

**35. INDEMNIFICATION:** The Vendor agrees to indemnify, defend, and hold harmless the State and the Agency, their officers, and employees from and against: (1) Any claims or losses for services rendered by any subcontractor, person, or firm performing or supplying services, materials, or supplies in connection with the performance of the Contract; (2) Any claims or losses resulting to any person or entity injured or damaged by the Vendor, its officers, employees, or subcontractors by the publication, translation, reproduction, delivery, performance, use, or disposition of any data used under the Contract in a manner not authorized by the Contract, or by Federal or State statutes or regulations; and (3) Any failure of the Vendor, its officers, employees, or subcontractors to observe State and Federal laws including, but not limited to, labor and wage and hour laws.

**36. NO DEBT CERTIFICATION:** In accordance with West Virginia Code §§ 5A-3-10a and 5-22-1(i), the State is prohibited from awarding a contract to any bidder that owes a debt to the State or a political subdivision of the State. By submitting a bid, or entering into a contract with the State, Vendor is affirming that (1) for construction contracts, the vendor is not in default on any monetary obligation owed to the state or a political subdivision of the state, and (2) for all other contracts, that neither vendor nor any related party owe a debt as defined above and that neither Vendor nor any related party are in employer default as defined in the statute cited above unless the debt or employer default is permitted under the statute.

**37. CONFLICT OF INTEREST:** Vendor, its officers or members or employees, shall not presently have or acquire an interest, direct or indirect, which would conflict with or compromise the performance of its obligations hereunder. Vendor shall periodically inquire of its officers, members and employees to ensure that a conflict of interest does not arise. Any conflict of interest discovered shall be promptly presented in detail to the Agency.

**38. REPORTS:** Vendor shall provide the Agency and/or the Purchasing Division with the following reports identified by a checked box below:

Such reports as the Agency and/or the Purchasing Division may request. Requested reports may include, but are not limited to, quantities purchased, agencies utilizing the contract, total contract expenditures by agency, etc.

Quarterly reports detailing the total quantity of purchases in units and dollars, along with a listing of purchases by agency. Quarterly reports should be delivered to the Purchasing Division via email at [purchasing.division@wv.gov](mailto:purchasing.division@wv.gov).

**39. BACKGROUND CHECK:** In accordance with W. Va. Code § 15-2D-3, the State reserves the right to prohibit a service provider's employees from accessing sensitive or critical information or to be present at the Capitol complex based upon results addressed from a criminal background check. Service providers should contact the West Virginia Division of Protective Services by phone at (304) 558-9911 for more information.

**40. PREFERENCE FOR USE OF DOMESTIC STEEL PRODUCTS:** Except when authorized by the Director of the Purchasing Division pursuant to W. Va. Code § 5A-3-56, no contractor may use or supply steel products for a State Contract Project other than those steel products made in the United States. A contractor who uses steel products in violation of this section may be subject to civil penalties pursuant to W. Va. Code § 5A-3-56. As used in this section:

a. “State Contract Project” means any erection or construction of, or any addition to, alteration of or other improvement to any building or structure, including, but not limited to, roads or highways, or the installation of any heating or cooling or ventilating plants or other equipment, or the supply of and materials for such projects, pursuant to a contract with the State of West Virginia for which bids were solicited on or after June 6, 2001.

b. “Steel Products” means products rolled, formed, shaped, drawn, extruded, forged, cast, fabricated or otherwise similarly processed, or processed by a combination of two or more or such operations, from steel made by the open hearth, basic oxygen, electric furnace, Bessemer or other steel making process. The Purchasing Division Director may, in writing, authorize the use of foreign steel products if:

c. The cost for each contract item used does not exceed one tenth of one percent (.1%) of the total contract cost or two thousand five hundred dollars (\$2,500.00), whichever is greater. For the purposes of this section, the cost is the value of the steel product as delivered to the project; or

d. The Director of the Purchasing Division determines that specified steel materials are not produced in the United States in sufficient quantity or otherwise are not reasonably available to meet contract requirements.

**41. PREFERENCE FOR USE OF DOMESTIC ALUMINUM, GLASS, AND STEEL:** In Accordance with W. Va. Code § 5-19-1 et seq., and W. Va. CSR § 148-10-1 et seq., for every contract or subcontract, subject to the limitations contained herein, for the construction, reconstruction, alteration, repair, improvement or maintenance of public works or for the purchase of any item of machinery or equipment to be used at sites of public works, only domestic aluminum, glass or steel products shall be supplied unless the spending officer determines, in writing, after the receipt of offers or bids, (1) that the cost of domestic aluminum, glass or steel products is unreasonable or inconsistent with the public interest of the State of West Virginia, (2) that domestic aluminum, glass or steel products are not produced in sufficient quantities to meet the contract requirements, or (3) the available domestic aluminum, glass, or steel do not meet the contract specifications. This provision only applies to public works contracts awarded in an amount more than fifty thousand dollars (\$50,000) or public works contracts that require more than ten thousand pounds of steel products.

The cost of domestic aluminum, glass, or steel products may be unreasonable if the cost is more than twenty percent (20%) of the bid or offered price for foreign made aluminum, glass, or steel products. If the domestic aluminum, glass or steel products to be supplied or produced in a “substantial labor surplus area”, as defined by the United States Department of Labor, the cost of domestic aluminum, glass, or steel products may be unreasonable if the cost is more than thirty percent (30%) of the bid or offered price for foreign made aluminum, glass, or steel products. This preference shall be applied to an item of machinery or equipment, as indicated above, when the

item is a single unit of equipment or machinery manufactured primarily of aluminum, glass or steel, is part of a public works contract and has the sole purpose or of being a permanent part of a single public works project. This provision does not apply to equipment or machinery purchased by a spending unit for use by that spending unit and not as part of a single public works project.

All bids and offers including domestic aluminum, glass or steel products that exceed bid or offer prices including foreign aluminum, glass or steel products after application of the preferences provided in this provision may be reduced to a price equal to or lower than the lowest bid or offer price for foreign aluminum, glass or steel products plus the applicable preference. If the reduced bid or offer prices are made in writing and supersede the prior bid or offer prices, all bids or offers, including the reduced bid or offer prices, will be reevaluated in accordance with this rule.

**42. PROHIBITION AGAINST USED OR REFURBISHED:** Unless expressly permitted in the solicitation published by the State, Vendor must provide new, unused commodities, and is prohibited from supplying used or refurbished commodities, in fulfilling its responsibilities under this Contract.

**43. VOID CONTRACT CLAUSES** – This Contract is subject to the provisions of West Virginia Code § 5A-3-62, which automatically voids certain contract clauses that violate State law.

**DESIGNATED CONTACT: Vendor appoints the individual identified in this Section as the Contract Administrator and the initial point of contact for matters relating to this Contract.**

Hamza Masud, Executive Director

(Printed Name and Title)

7491 Flag Point Ct., Manassas, VA 20109

(Address)

(703) 870-6182

(Phone Number) / (Fax Number)

hamza.masud@swiperesources.com

(E-mail address)

**CERTIFICATION AND SIGNATURE:** By signing below, or submitting documentation through wvOASIS, I certify that I have reviewed this Solicitation in its entirety; that I understand the requirements, terms and conditions, and other information contained herein; that this bid, offer or proposal constitutes an offer to the State that cannot be unilaterally withdrawn; that the product or service proposed meets the mandatory requirements contained in the Solicitation for that product or service, unless otherwise stated herein; that the Vendor accepts the terms and conditions contained in the Solicitation, unless otherwise stated herein; that I am submitting this bid, offer or proposal for review and consideration; ; that this bid or offer was made without prior understanding, agreement, or connection with any entity submitting a bid or offer for the same material, supplies, equipment or services; that this bid or offer is in all respects fair and without collusion or fraud; that this Contract is accepted or entered into without any prior understanding, agreement, or connection to any other entity that could be considered a violation of law; that I am authorized by the Vendor to execute and submit this bid, offer, or proposal, or any documents related thereto on Vendor's behalf; that I am authorized to bind the vendor in a contractual relationship; and that to the best of my knowledge, the Vendor has properly registered with any State agency that may require registration.

*By signing below, I further certify that I understand this Contract is subject to the provisions of West Virginia Code § 5A-3-62, which automatically voids certain contract clauses that violate State law.*

Swipe Resources LLC

(Company)



(Signature of Authorized Representative)

Hamza Masud

Executive Director

(Printed Name and Title of Authorized Representative)

6/9/2026

(Date)

(703) 870-6182

(Phone Number) (Fax Number)

REQUEST FOR QUOTATION  
**Barn Run Rebar**

---

**SPECIFICATIONS**

**1. PURPOSE AND SCOPE:** The West Virginia Purchasing Division is soliciting bids on behalf of the West Virginia Department of Highways to establish a contract for the one time purchase of epoxy coated rebar.

**2. DEFINITIONS:** The terms listed below shall have the meanings assigned to them below. Additional definitions can be found in section 2 of the General Terms and Conditions.

**2.1 “Contract Item”** means epoxy coated rebar as more fully described by these specifications.

**2.2 “Pricing Page”** means the pages, contained in wvOASIS or attached as Exhibit A, upon which Vendor should list its proposed price for the Contract Items.

**2.3 “Solicitation”** means the official notice of an opportunity to supply the State with goods or services that is published by the Purchasing Division..

**3. GENERAL REQUIREMENTS:**

**3.1 Mandatory Contract Item Requirements:** Contract Item must meet or exceed the mandatory requirements listed below.

**3.1.1 #4 Rebar, Straight, non-coated – 1067.06 lbs.**

**3.1.1.1** #4 rebar must be grade 60 AASHTO M31 (ASTM A615). Rebar must be cut to specifications on attached drawing (Exhibit B).

**3.1.2 #4 Rebar, Straight, Epoxy Coated – 865.24 lbs.**

**3.1.2.1** #4 rebar must be grade 60 AASHTO M31 (ASTM A615) Coating M284. Rebar must be cut to specifications on attached drawing (Exhibit B).

**3.1.3 #4 Rebar, Bent, non-coated – 958.635 lbs.**

**3.1.3.1** #4 rebar must be grade 60 AASHTO M31 (ASTM A615) Coating M284. Rebar must be cut and bent to specifications on attached drawing (Exhibit B).

**3.1.4 #4 Rebar, Bent, Epoxy Coated – 512.623 lbs.**

REQUEST FOR QUOTATION  
**Barn Run Rebar**

---

**3.1.4.1 #4 rebar** must be grade 60 AASHTO M31 (ASTM A615) Coating M284. Rebar must be cut and bent to specifications on attached drawing (Exhibit B).

**3.1.5 #6 Rebar, Straight, non-epoxy – 1353.804 lbs.**

**3.1.5.1 #6 rebar** must be grade 60 AASHTO M31 (ASTM A615). Rebar must be cut to specifications on attached drawing (Exhibit B).

**3.1.6 #6 Rebar, Bent, non-epoxy – 3626.291 lbs.**

**3.1.6.1 #6 rebar** must be grade 60 AASHTO M31 (ASTM A615). Rebar must be cut and bent to specifications on attached drawing (Exhibit B).

**3.2 #8 Rebar, Bent, Epoxy Coated – 2936.963 lbs.**

**3.2.1 #8 rebar** must be grade 60 AASHTO M31 (ASTM A615). Coating M284. Rebar must be cut and bent to specifications on attached drawing (Exhibit B).

**4. CONTRACT AWARD:**

**4.1 Contract Award:** The Contract is intended to provide Agencies with a purchase price for the Contract Items. The Contract shall be awarded to the Vendor that provides the Contract Items meeting the required specifications for the lowest overall total cost as shown on the Pricing Pages.

**4.2 Pricing Page:** Vendor should complete the Pricing Page by inputting the Unit Price for each item number and multiply by the Quantities to calculate the total cost for each. The Total cost for each item number shall be added together to calculate the total bid amount. Vendor should complete the Pricing Page in full as failure to complete the Pricing Page in its entirety may result in Vendor's bid being disqualified.

Vendor should type or electronically enter the information into the Pricing Page to prevent errors in the evaluation.

**5. PAYMENT:**

**5.1 Payment:** Vendor shall accept payment in accordance with the payment procedures of the State of West Virginia.

REQUEST FOR QUOTATION  
**Barn Run Rebar**

---

**6. DELIVERY AND RETURN:**

**6.1 Shipment and Delivery:** Vendor shall ship the Contract Items immediately after being awarded this Contract and receiving a purchase order or notice to proceed. Vendor shall deliver the Contract Items within 15 working days after receiving a purchase order or notice to proceed. Contract Items must be delivered to Agency at 331 Brush Road Lewisburg, WV 24901.

**6.2 Late Delivery:** The Agency placing the order under this Contract must be notified in writing if the shipment of the Contract Items will be delayed for any reason. Any delay in delivery that could cause harm to an Agency will be grounds for cancellation of the Contract, and/or obtaining the Contract Items from a third party.

Any Agency seeking to obtain the Contract Items from a third party under this provision must first obtain approval of the Purchasing Division.

**6.3 Delivery Payment/Risk of Loss:** Vendor shall deliver the Contract Items F.O.B. destination to the Agency's location.

**6.4 Return of Unacceptable Items:** If the Agency deems the Contract Items to be unacceptable, the Contract Items shall be returned to Vendor at Vendor's expense and with no restocking charge. Vendor shall either make arrangements for the return within five (5) days of being notified that items are unacceptable, or permit the Agency to arrange for the return and reimburse Agency for delivery expenses. If the original packaging cannot be utilized for the return, Vendor will supply the Agency with appropriate return packaging upon request. All returns of unacceptable items shall be F.O.B. the Agency's location. The returned product shall either be replaced, or the Agency shall receive a full credit or refund for the purchase price, at the Agency's discretion.

**6.5 Return Due to Agency Error:** Items ordered in error by the Agency will be returned for credit within 30 days of receipt, F.O.B. Vendor's location. Vendor shall not charge a restocking fee if returned products are in a resalable condition. Items shall be deemed to be in a resalable condition if they are unused and in the original packaging. Any restocking fee for items not in a resalable condition shall be the lower of the Vendor's customary restocking fee or 5% of the total invoiced value of the returned items.

**7 VENDOR DEFAULT:**

**7.1** The following shall be considered a vendor default under this Contract.

REQUEST FOR QUOTATION  
**Barn Run Rebar**

---

- 7.1.1 Failure to provide Contract Items in accordance with the requirements contained herein.
- 7.1.2 Failure to comply with other specifications and requirements contained herein.
- 7.1.3 Failure to comply with any laws, rules, and ordinances applicable to the Contract Services provided under this Contract.
- 7.1.4 Failure to remedy deficient performance upon request.

**7.2** The following remedies shall be available to Agency upon default.

- 7.2.1 Immediate cancellation of the Contract.
- 7.2.2 Immediate cancellation of one or more release orders issued under this Contract.
- 7.2.3 Any other remedies available in law or equity.

## Exhibit A Barn Run Rebar

\$ -

Item Number	Quantity	Unit of Measure	Description	Unit Price	Extended Amount
1	1067.060	LBS	#4 Rebar, Straight, non-coated	\$1.20	\$ - \$1280.472
2	865.240	LBS	#4 Rebar, Straight, Epoxy Coated	\$1.75	\$ - \$1514.17
3	958.635	LBS	#4 Rebar, Bent, non-coated	\$1.20	\$ - \$1150.362
4	512.623	LBS	#4 Rebar, Bent, Epoxy Coated	\$1.75	\$ - \$897.09025
5	1353.804	LBS	#6 Rebar, Straight, non-epoxy	\$1.20	\$ - \$1624.5648
6	3626.291	LBS	#6 Rebar, Bent, non-epoxy	\$1.20	\$ - \$4351.5492
7	2936.963	LBS	#8 Rebar, Bent, Epoxy Coated	\$1.75	\$ - \$5139.68525
			Total		\$ \$15957.89

# Exhibit B

MARK	Type	# REQ	Length FEE	lb/ft	Total		
FU601	STR	32	AVRG	13.25	1.502	636.848	
FU602	1	16	AVRG	28.623	1.502	687.8679	
FU603	2	56		8.4167	1.502	707.9455	
FU604	2	32		5.9167	1.502	284.3803	
FU605	2	1		8.333	1.502	12.51617	
FU606	2	1		8.5	1.502	12.767	
FU607	2	1		8.75	1.502	13.1425	
FU608	2	1		8.1667	1.502	12.26638	
FU609	2	1		7.333	1.502	11.01417	
FU610	2	1		6.75	1.502	10.1385	
FU611	2	1		6.25	1.502	9.3875	
FU612	2	2		5.9167	1.502	17.77377	
FU613	2	1		6.5	1.502	9.763	
FU614	2	1		7.17	1.502	10.76934	
FU615	2	1		7.75	1.502	11.6405	
						0	
FD601	STR	32		14.9167	1.502	716.9563	
FD602	1	16	AVRG	26.5	1.502	636.848	
FD603	2	64		8.4167	1.502	809.0805	
FD604	2	30		5.9167	1.502	266.6065	
FD605	2	2		8.083	1.502	24.28133	
FD606	2	2		7.333	1.502	22.02833	
FD607	2	2		6.75	1.502	20.277	
FD608	2	2		6.0833	1.502	18.27423	
FD609	2	2		5.833	1.502	17.52233	
						0	
AU401	3	17		13.75	0.668	156.145	
AU402	3	17		12.833	0.668	145.7315	
AU403	3	11	AVRG	8.417	0.668	61.84812	
AU404	3	11	AVRG	7.5	0.668	55.11	
AU405	STR	4		16.5	0.668	44.088	
AU406	STR	22	AVRG	22.957	0.668	337.3761	
AU407	4	1		30	0.668	20.04	
AU408	STR	4		28.9167	0.668	77.26542	
						0	
AD401	3	15		14	0.668	140.28	
AD402	3	15		13.1667	0.668	131.9303	
AD403	3	20	AVRG	8.667	0.668	115.7911	
AD404	3	20	AVRG	7.833	0.668	104.6489	
AD405	STR	4		15.75	0.668	42.084	
AD406	STR	24	AVRG	28.917	0.668	463.5973	
AD407	1	1		40.5833	0.668	27.10964	

AD408	STR	4	38.4167	0.668	102.6494	BAR TYPE	TOTAL
					0		
WA401E		3	11 AVR	12.79	0.668	93.98092	EPOXY = 4314.825
WA402E	STR	18	10.1667	0.668	122.2444		
WA403E	STR	6 AVR	4.917	0.668	19.70734	BLACK IRON = 7005.79	
WA404E	STR	2	10.5	0.668	14.028		
WA801E		3	16 AVR	12.79	2.67	546.3888	11320.62
					0		
WB401E		3	17 AVR	12.79	0.668	145.2432	STR BLK = 2420.865
WB402E	STR	18	16.0833	0.668	193.3856	STR EPOXY = 865.2396	
WB403E	STR	6 AVR	7.875	0.668	31.563		
WB404E	STR	2	16.333	0.668	21.82089	BENT BLK = 4584.925	
WB801E		3	24 AVR	12.79	2.67	819.5832	BENT EPOXY = 3449.586
					0		
WC401E		3	16 AVR	12.79	0.668	136.6995	STR #4 1067.06
WC402E	STR	18	15.0833	0.668	181.3616	STR #4E 865.2396	
WC403E	STR	6 AVR	7.335	0.668	29.39868	BENT #4 958.6346	
WC404E	STR	2	15.333	0.668	20.48489	BENT #4E 512.6232	
WC801E		3	23 AVR	12.792	2.67	785.5567	STR #6 1353.804
					0		
WD401E		3	16 AVR	12.79	0.668	136.6995	BENT #6 3626.291
WD402E	STR	18	15.0833	0.668	181.3616	BENT #8E 2936.963	
WD403E	STR	6 AVR	7.335	0.668	29.39868		
WD404E	STR	2	15.333	0.668	20.48489		
WD801E		3	23 AVR	12.79	2.67	785.4339	11320.62

*Total*

*Total*

BARN RUN

REINFORCEMENT FOOTING UPSTREAM								
MARK	TYPE	No. REQ'D	LENGTH	DIMENSIONS				COMMENTS
				A	B	C	D	
FU601	STR	32	19'-10" TO 10'-8"					
FU602	1	16	33'-11" TO 23'-4"	25'-5" TO 15'-11"	5'-6" TO 3'-0"	3'-1" TO 0'-1"	5'-6" TO 2'-1"	
FU603	2	56	8'-5"	5'-3"	1'-7"	-	-	
FU604	2	32	5'-11"	2'-9"	1'-7"	-	-	
FU605	2	1	8'-6"	5'-4"	1'-7"	-	-	
FU606	2	1	8'-9"	5'-7"	1'-7"	-	-	
FU607	2	1	8'-9"	5'-7"	1'-7"	-	-	
FU608	2	1	8'-9"	5'-7"	1'-7"	-	-	
FU609	2	1	8'-9"	5'-7"	1'-7"	-	-	
FU610	2	1	6'-9"	3'-7"	1'-7"	-	-	
FU611	2	1	6'-9"	3'-7"	1'-7"	-	-	
FU612	2	1	6'-9"	3'-7"	1'-7"	-	-	
FU613	2	1	6'-6"	3'-4"	1'-7"	-	-	
FU614	2	1	7'-2"	4'-0"	1'-7"	-	-	
FU615	2	1	7'-9"	4'-7"	1'-7"	-	-	

REINFORCEMENT WINGWALL A					
MARK	TYPE	No. REQ'D	LENGTH	DIMENSIONS	
				A	B
WA401E	3	11	14'-3" TO 11'-4"	13'-5" TO 10'-6"	0'-10"
WA402E	STR	18	10'-2"	-	-
WA403E	STR	6	8'-5" TO 1'-5"	-	-
WA404E	STR	2	10'-6"	-	-
WA801E	3	16	14'-3" TO 11'-4"	13'-5" TO 10'-6"	0'-10"

REINFORCEMENT FOOTING DOWNSTREAM								
MARK	TYPE	No. REQ'D	LENGTH	DIMENSIONS				COMMENTS
				A	B	C	D	
FD601	STR	32	14'-11"					
FD602	1	16	29'-7" TO 23'-5"	24'-6" TO 19'-8"	4'-0" TO 2'-6"	2'-10" TO 1'-10"	2'-10" TO 1'-10"	
FD603	2	64	8'-1"	5'-9"	1'-7"	-	-	
FD604	2	30	9'-11"	4'-11"	1'-7"	-	-	
FD605	2	2	8'-1"	4'-11"	1'-7"	-	-	
FD606	2	2	7'-4"	4'-2"	1'-7"	-	-	
FD607	2	2	6'-9"	3'-7"	1'-7"	-	-	
FD608	2	2	6'-1"	2'-11"	1'-7"	-	-	
FD609	2	2	5'-10"	2'-8"	1'-7"	-	-	

REINFORCEMENT WINGWALL B					
MARK	TYPE	No. REQ'D	LENGTH	DIMENSIONS	
				A	B
WB401E	3	17	14'-3" TO 11'-4"	13'-5" TO 10'-6"	0'-10"
WB402E	STR	14	16'-4"	-	-
WB403E	STR	6	13'-6" TO 2'-3"	-	-
WB404E	STR	2	16'-4"	-	-
WB801E	3	24	14'-3" TO 11'-4"	13'-4" TO 10'-6"	0'-10"

REINFORCEMENT WINGWALL C					
MARK	TYPE	No. REQ'D	LENGTH	DIMENSIONS	
				A	B
WC401E	3	16	14'-3" TO 11'-4"	13'-5" TO 10'-6"	0'-10"
WC402E	STR	18	15'-1"	-	-
WC403E	STR	6	12'-8" TO 2'-0"	-	-
WC404E	STR	2	15'-4"	-	-
WC801E	3	23	14'-3" TO 11'-4"	13'-5" TO 10'-6"	0'-10"

REINFORCEMENT UPSTREAM APRON								
MARK	TYPE	No. REQ'D	LENGTH	DIMENSIONS				COMMENTS
				A	B	C	D	
AU401	3	17	13'-9"	11'-7"	2'-2"	-	-	
AU402	3	17	12'-10"	11'-1"	1'-9"	-	-	
AU403	3	11	13'-5" TO 3'-5"	11'-3" TO 1'-3"	2'-2"	-	-	
AU404	3	11	12'-5" TO 2'-6"	10'-9" TO 0'-9"	1'-9"	-	-	
AU405	STR	22	16'-6"	-	-	-	-	
AU406	STR	4	28'-1" TO 17'-10"	-	-	-	-	
AU407	4	1	30'-0"	28'-11"	1'-1"	0'-9"	0'-9"	
AU408	STR	4	28'-11"	-	-	-	-	

REINFORCEMENT WINGWALL D					
MARK	TYPE	No. REQ'D	LENGTH	DIMENSIONS	
				A	B
WD401E	3	16	14'-3" TO 11'-4"	13'-5" TO 10'-6"	0'-10"
WD402E	STR	18	15'-1"	-	-
WD403E	STR	6	12'-8" TO 2'-0"	-	-
WD404E	STR	2	15'-4"	-	-
WD801E	3	23	14'-3" TO 11'-4"	13'-5" TO 10'-6"	0'-10"

REINFORCEMENT DOWNSTREAM APRON								
MARK	TYPE	No. REQ'D	LENGTH	DIMENSIONS				COMMENTS
				A	B	C	D	
AD401	3	15	14'-0"	11'-10"	2'-2"	-	-	
AD402	3	15	13'-2"	11'-5"	1'-9"	-	-	
AD403	3	20	13'-2" TO 4'-2"	11'-0" TO 2'-0"	2'-2"	-	-	
AD404	3	20	12'-4" TO 3'-4"	10'-7" TO 1'-7"	1'-9"	-	-	
AD405	STR	4	15'-9"	-	-	-	-	
AD406	STR	24	39'-11" TO 17'-11"	-	-	-	-	
AD407	1	1	40'-7"	38'-5"	1'-1"	0'-9"	0'-9"	
AD408	STR	4	38'-5"	-	-	-	-	

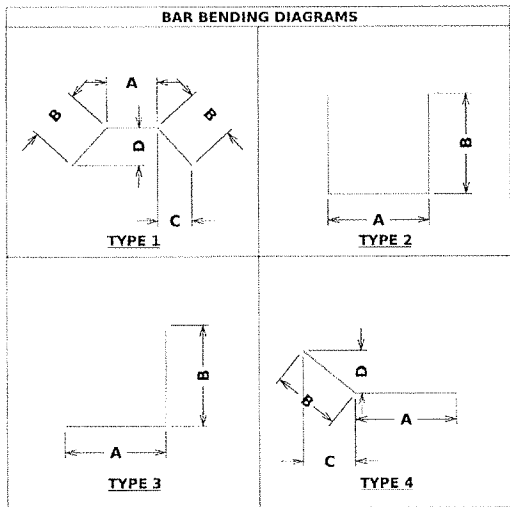
NOTES:

ALL DIMENSIONS ARE OUT-TO-OUT OF BARS.

NO CORRECTION IN LENGTH IS TO BE MADE FOR BEND CURVATURES.

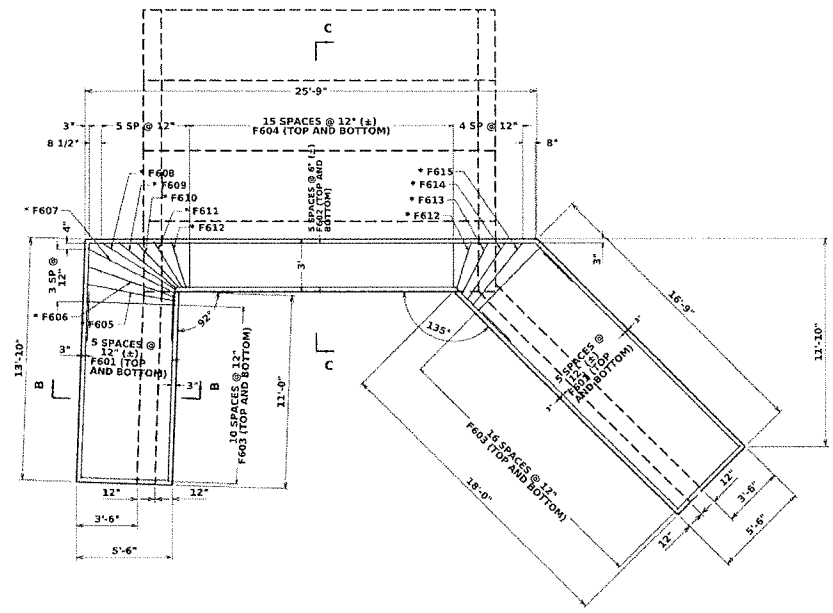
THE FIRST DIGIT FOLLOWING THE PREFIX INDICATES BAR SIZE. EXAMPLE: 501 or 501E = NO. 5 BAR.

BARS WITH E SUFFIX INDICATE EPOXY COATED BARS.

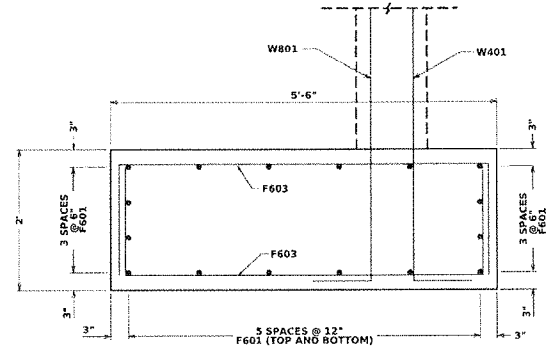


Public Dist. No.	State Project No.	Federal Project No.	Fiscal Year	County	Sheet No.	Total Sheets
W. V. 09	S334 -20 32.95.00	N/A	2024	NICHOLAS	13	21

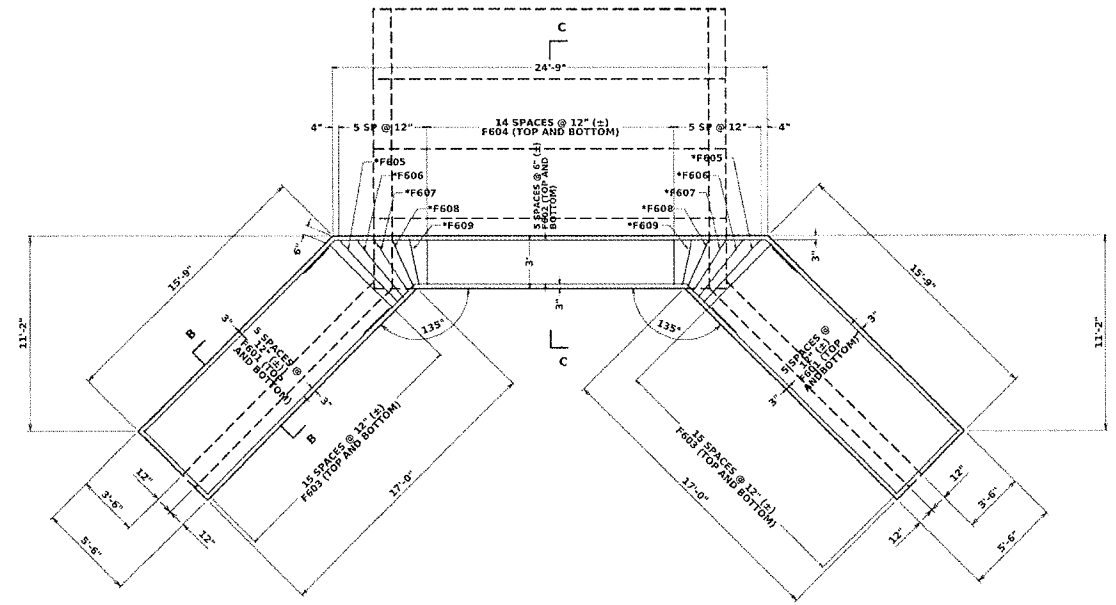
BARN RUN



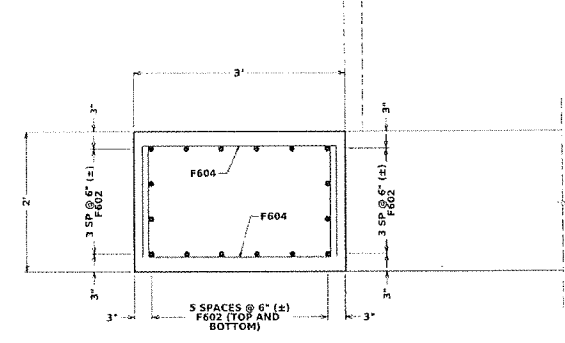
PLAN- UPSTREAM FOOTING



SECTION B-B



PLAN- DOWNSTREAM FOOTING



SECTION C-C

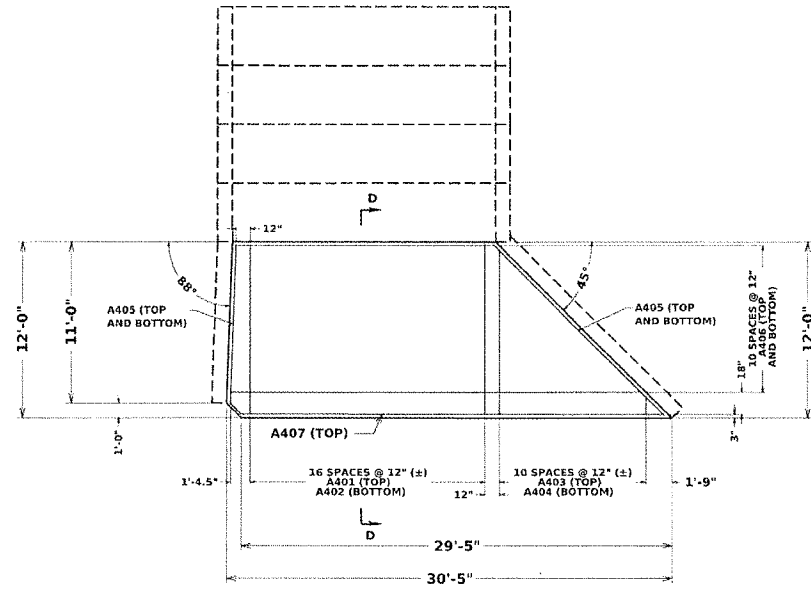
NOTE: \* = TOP AND BOTTOM BARS

REVISION NUMBER	SHEET NUMBER	REVISION	DATE	BY

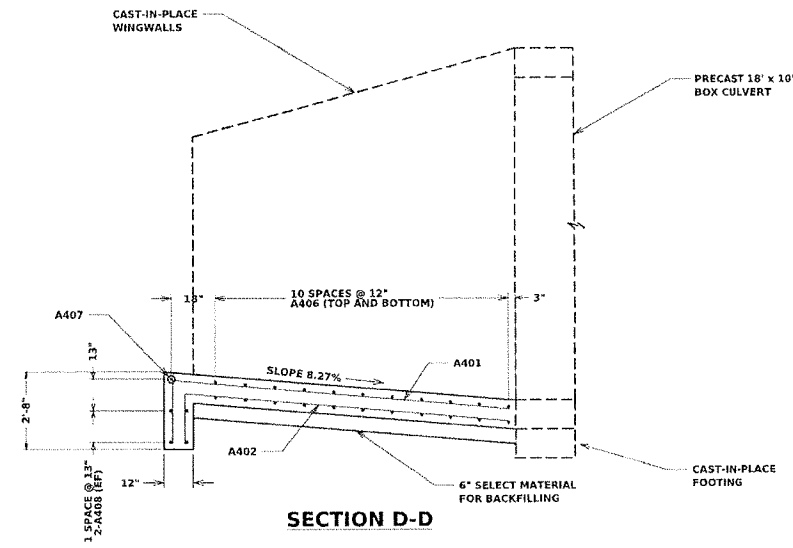
THE WEST VIRGINIA DEPARTMENT OF TRANSPORTATION  
DIVISION OF HIGHWAYS  
**FOOTING DETAILS**

Public Works Div.	State No.	State Project No.	Federal Project No.	Fiscal Year	County	Sheet No.	Total Sheets
W. V.	09	5334-20	N/A	2024	NICHOLAS	14	21
		32,95 00					

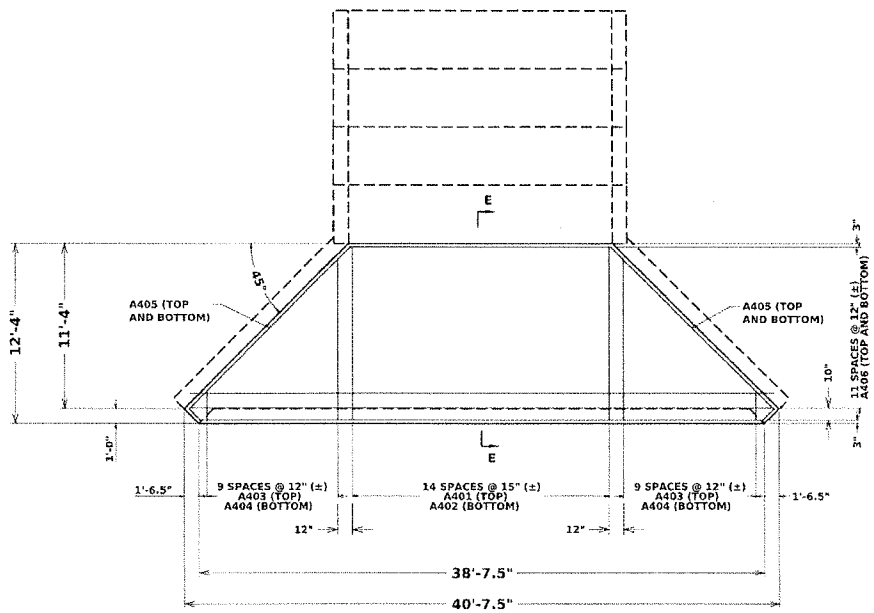
BARN RUN



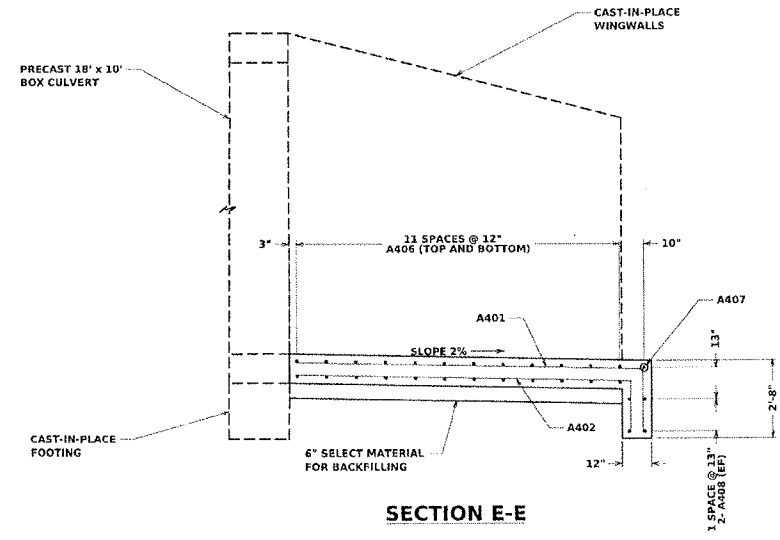
PLAN- UPSTREAM APRON



SECTION D-D



PLAN- DOWNSTREAM APRON



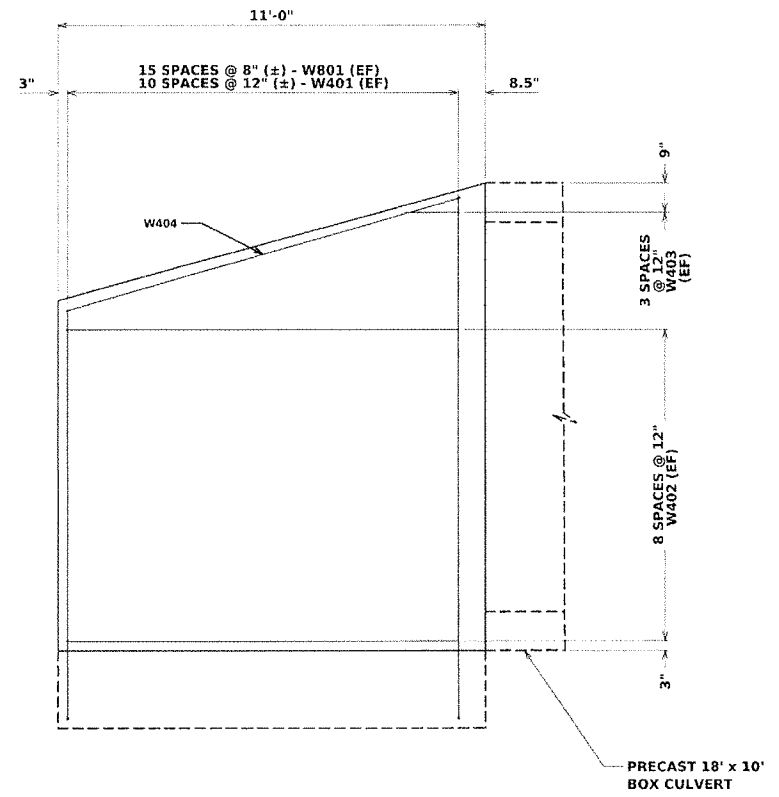
SECTION E-E

REVISION NUMBER	SHEET NUMBER	REVISION	DATE	BY

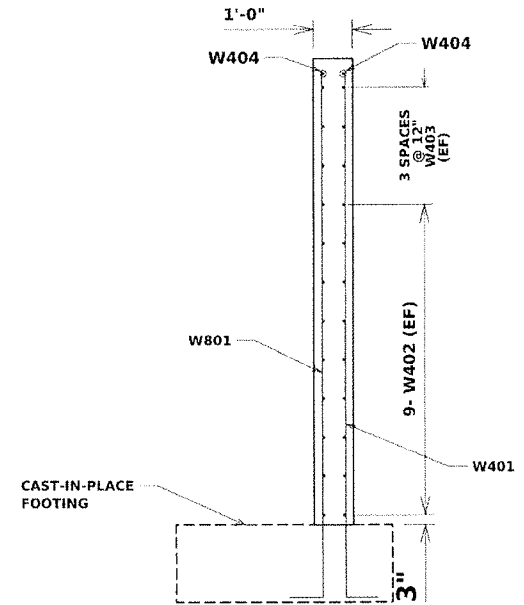
THE WEST VIRGINIA DEPARTMENT OF TRANSPORTATION  
DIVISION OF HIGHWAYS  
**APRON DETAILS**

Public Road Dist. No.	State Project No.	Federal Project No.	Fiscal Year	County	Sheet No.	Total Sheet
W. V. 09	5334-20	N/A	2024	NICHOLAS	15	21
32.95.00						

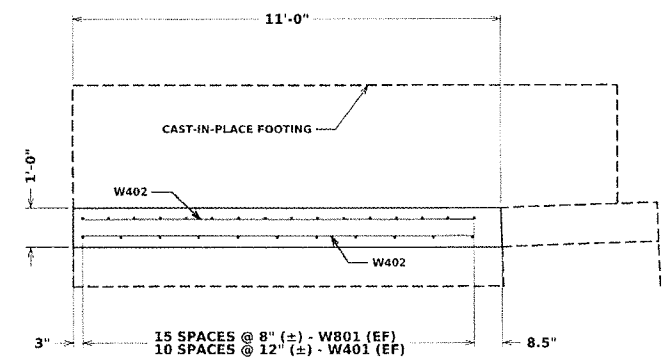
BARN RUN



**ELEVATION VIEW WINGWALL A**



**TYPICAL WINGWALL SECTION**



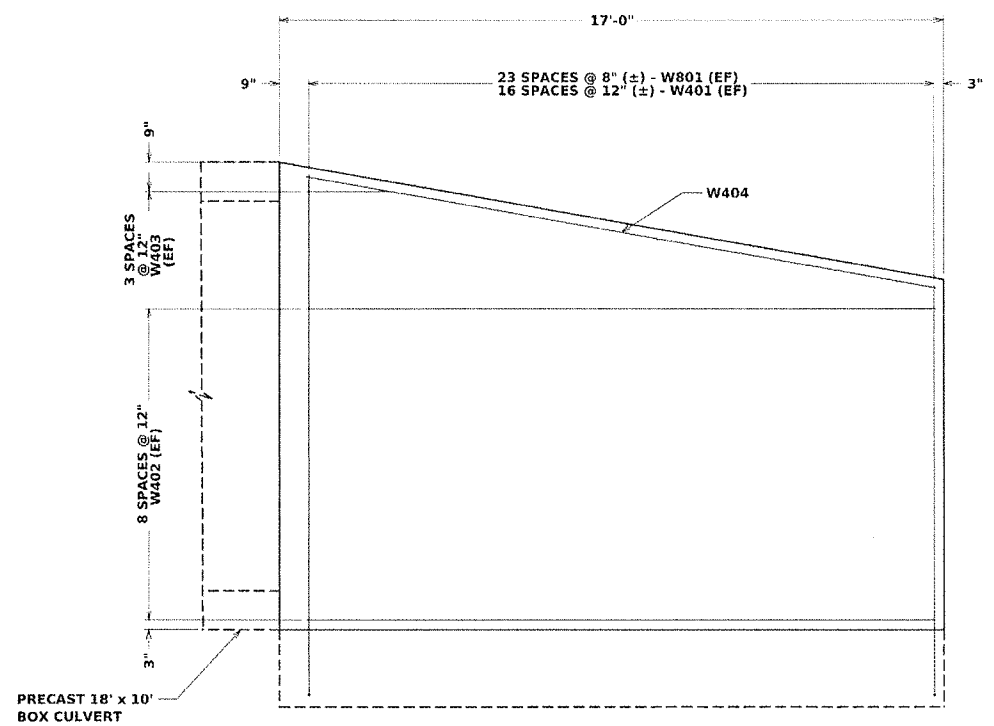
**PLAN VIEW WINGWALL A**

REVISION NUMBER	DATE	BY

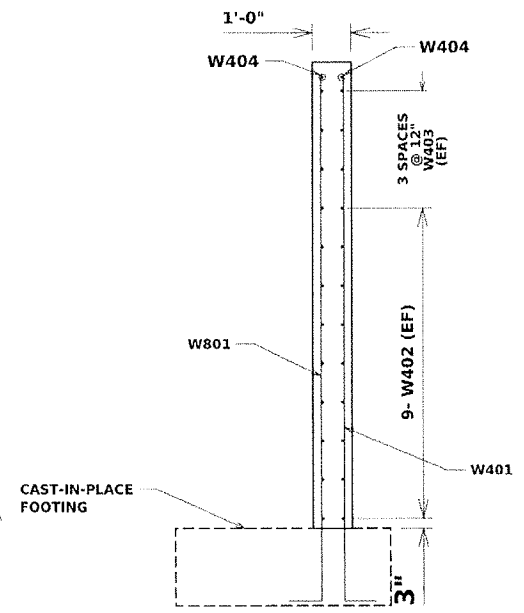
THE WEST VIRGINIA DEPARTMENT OF TRANSPORTATION  
DIVISION OF HIGHWAYS  
**WINGWALL DETAILS**

Public Road Cty.	State Dist. No.	State Project No.	Federal Project No.	Fiscal Year	County	Sheet No.	Total Sheets
W. V.	09	5334-20	N/A	2024	NICHOLAS	16	21

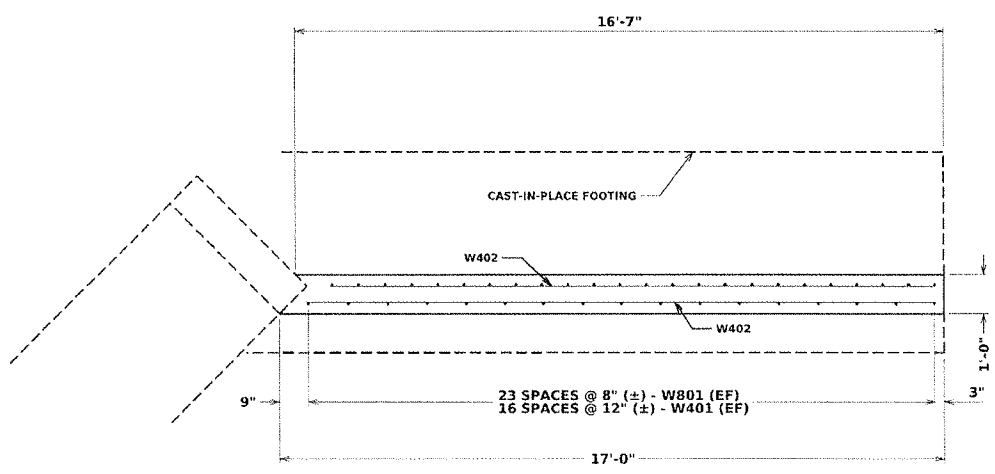
BARN RUN



**ELEVATION VIEW WINGWALL B**



**TYPICAL WINGWALL SECTION**



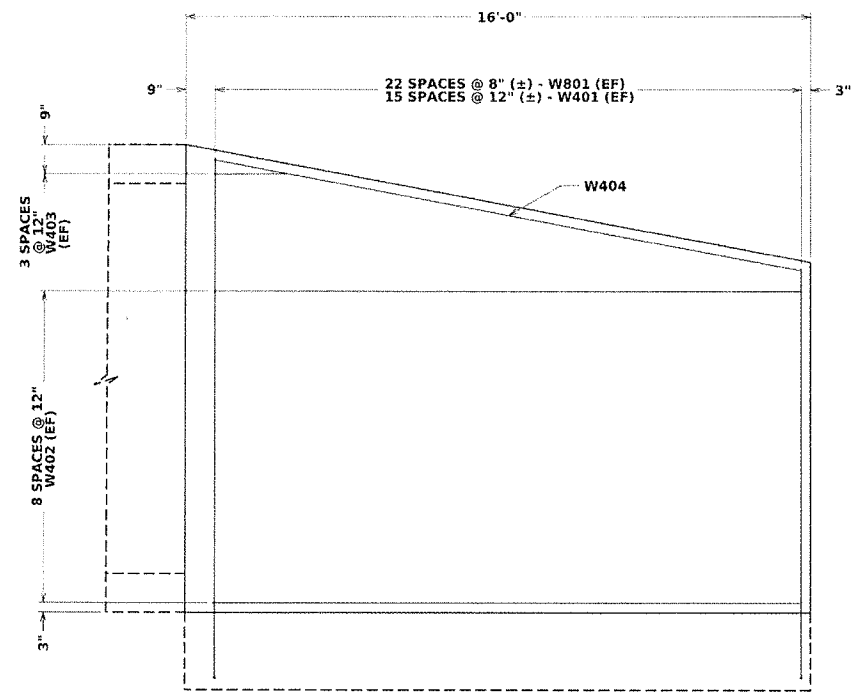
**PLAN VIEW WINGWALL B**

REVISION NUMBER	SHEET NUMBER	REVISION	DATE	BY

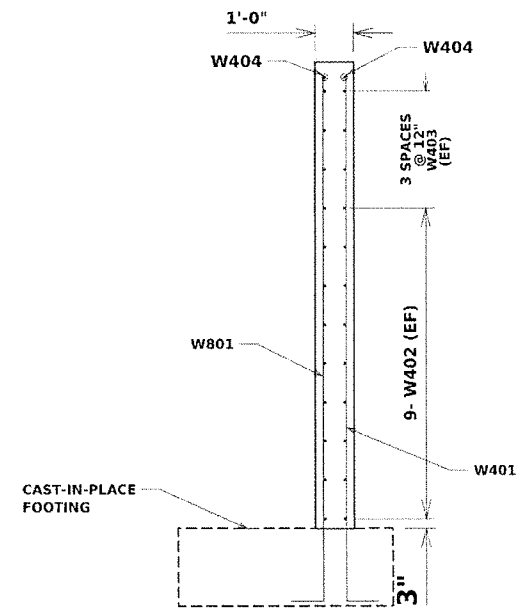
THE WEST VIRGINIA DEPARTMENT OF TRANSPORTATION  
DIVISION OF HIGHWAYS  
**WINGWALL DETAILS**

Public Road Dist.	State Project No.	State Project No.	Federal Project No.	Fiscal Year	County	Sheet No.	Total Sheets
W. V. 09	5334-20-32.95 00		N/A	2024	NICHOLAS	17	21

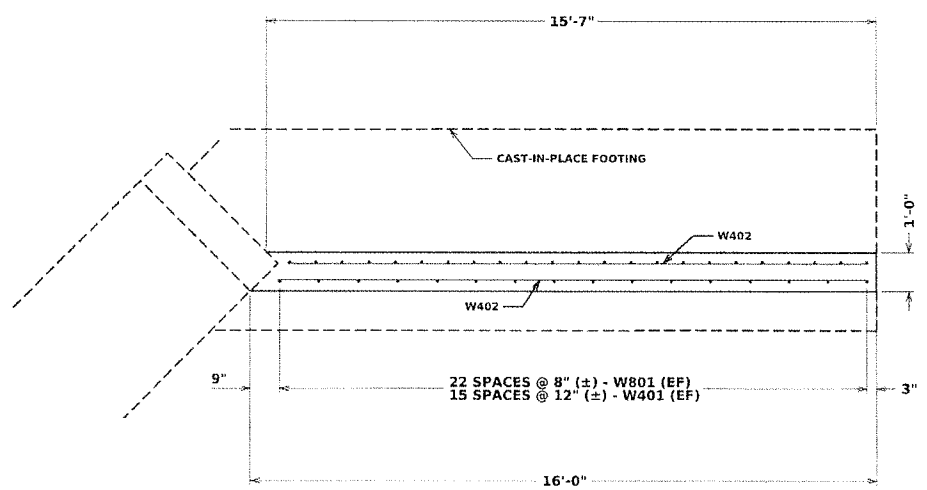
BARN RUN



**ELEVATION VIEW WINGWALL C AND D**



**TYPICAL WINGWALL SECTION**



**PLAN VIEW WINGWALL C AND D**

REVISION NUMBER	SHEET NUMBER	REVISION	DATE	BY

THE WEST VIRGINIA DEPARTMENT OF TRANSPORTATION  
DIVISION OF HIGHWAYS  
**WINGWALL DETAILS**